

KA378R33

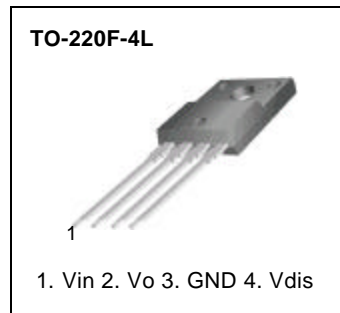
Low Dropout Voltage Regulator

Features

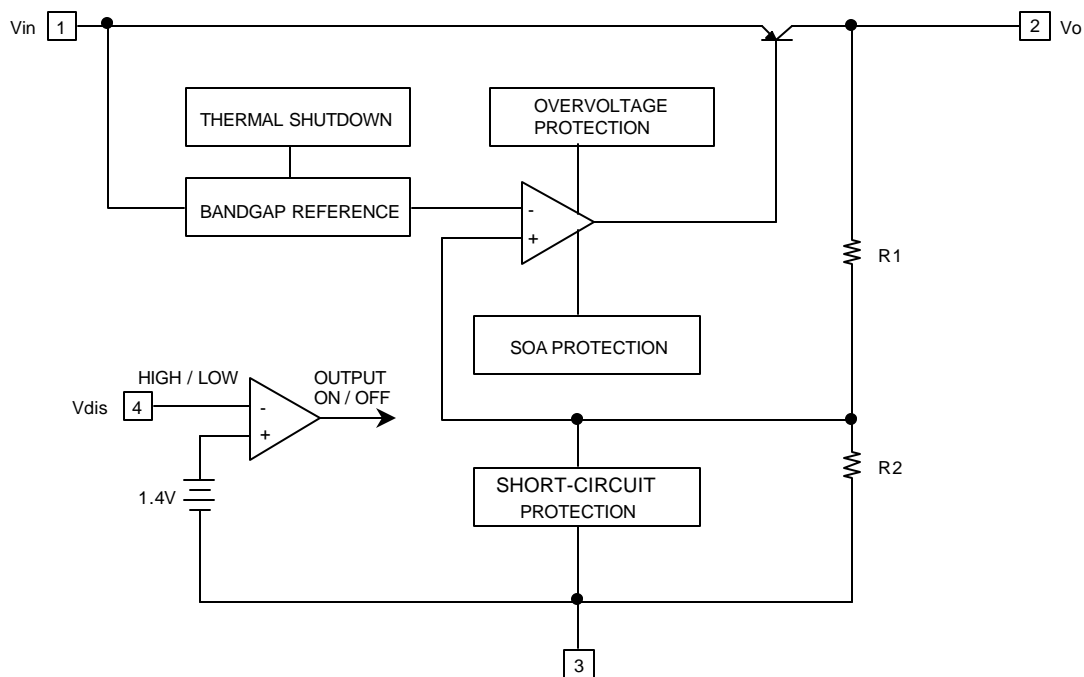
- 3A / 3.3V Output low dropout voltage regulator
- TO220 Full-Mold package (4PIN)
- Overcurrent protection, Thermal shutdown
- Overvoltage protection, Short-Circuit protection
- With output disable function

Description

The KA378R33 is a low-dropout voltage regulator suitable for various electronic equipments. It provide constant voltage power source with TO-220 4 lead full mold package. Dropout voltage of KA378R33 is below 0.5V in full rated current(3A). This regulator has various function such as peak current protection, thermal shut down, overvoltage protection and output disable function.



Internal Block Diagram



Absolute Maximum Ratings

| Parameter | Symbol | Value | Unit | Remark |
|-----------------------|------------------|--------|------|---------------|
| Input Voltage | V _{in} | 35 | V | - |
| Disable Voltage | V _{dis} | 35 | V | - |
| Output Current | I _o | 3.0 | A | - |
| Power Dissipation 1 | P _{d1} | 1.5 | W | No Heatsink |
| Power Dissipation 2 | P _{d2} | 15 | W | With Heatsink |
| Junction Temperature | T _j | 150 | °C | - |
| Operating Temperature | T _{opr} | -20~80 | °C | - |

Electrical Characteristics

(V_{in}=5V, I_o=1.5A, T_a=25 °C, unless otherwise specified)

| Parameter | Symbol | Conditions | Min. | Typ. | Max. | Unit |
|---------------------------|-------------------|----------------------------|------|------|------|------|
| Output Voltage | V _o | - | 3.22 | 3.3 | 3.38 | V |
| Load Regulation | R _{load} | 5mA < I _o < 3A | - | 0.1 | 2.0 | % |
| Line Regulation | R _{line} | 4V < V _{in} < 10V | - | 0.5 | 2.5 | % |
| Ripple Rejection Ratio | RR | note1 | 45 | 55 | - | dB |
| Dropout Voltage | V _{drop} | I _o = 3A | - | - | 0.5 | V |
| Disable Voltage High | V _{disH} | Output Active | 2.0 | - | - | V |
| Disable Voltage Low | V _{disL} | Output Disabled | - | - | 0.8 | V |
| Disable Bias Current High | I _{disH} | V _{dis} = 2.7V | - | - | 20 | μA |
| Disable Bias Current Low | I _{disL} | V _{dis} = 0.4V | - | - | -0.4 | mA |
| Quiescent Current | I _q | I _o = 0A | - | - | 10 | mA |

Note:

1. These parameters, although guaranteed, are not 100% tested in production.

Typical Performance Characteristics

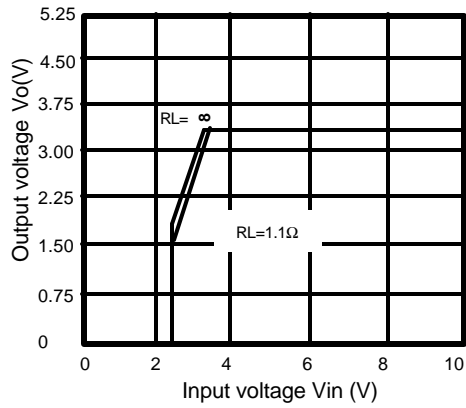


Figure 1. Output Voltage vs. Input Voltage

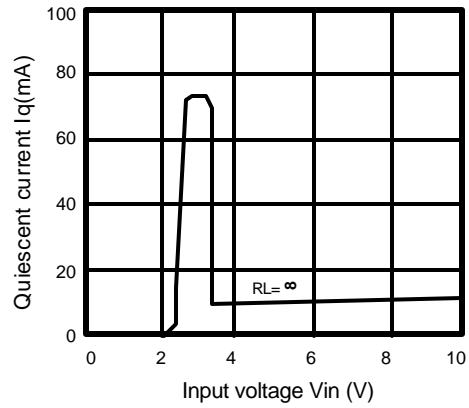


Figure 2. Quiescent Current vs. Input Voltage

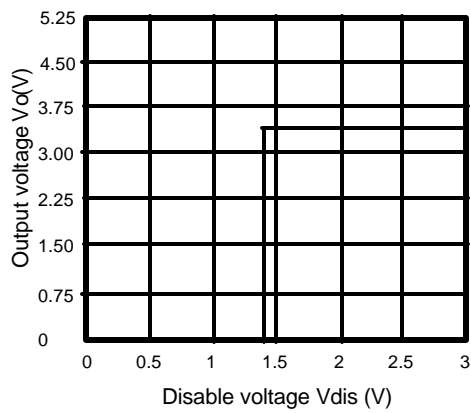


Figure 3. Output Voltage vs. Disable Voltage

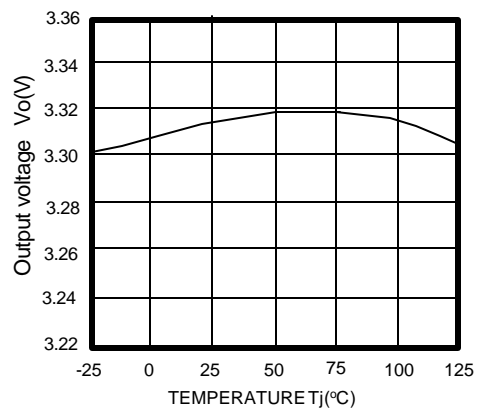


Figure 4. Output Voltage vs. Temperature(Tj)

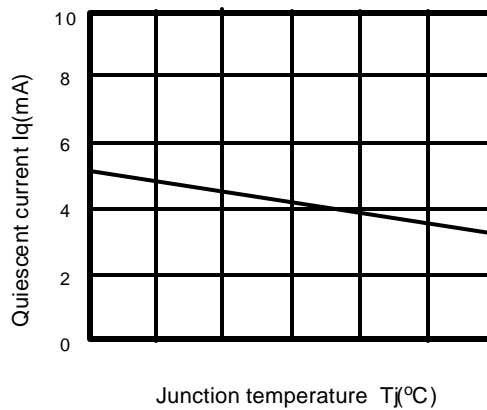


Figure 5. Quiescent Current vs. Temperature(Tj)

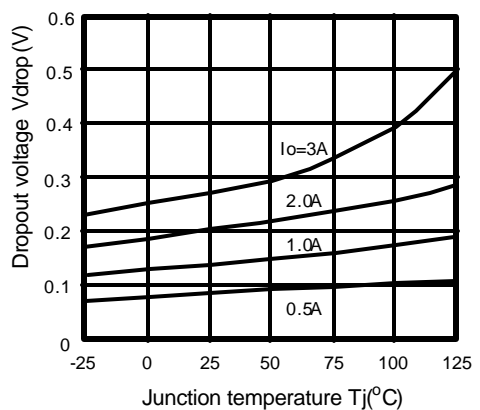


Figure 6. Dropout Voltage vs. Junction Temperature

Typical Performance Characteristics (continued)

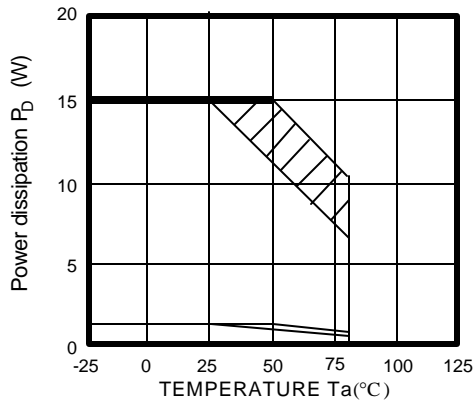


Figure 7. Power Dissipation vs. Temperature (T_a)

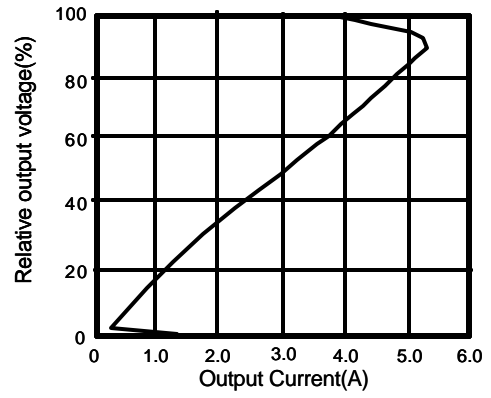


Figure 8. Overcurrent Protection Characteristics (Typical Value)

Typical Application

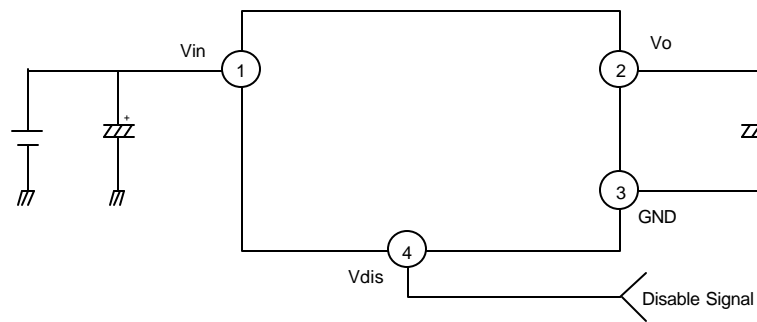


Figure 1. Application Circuit

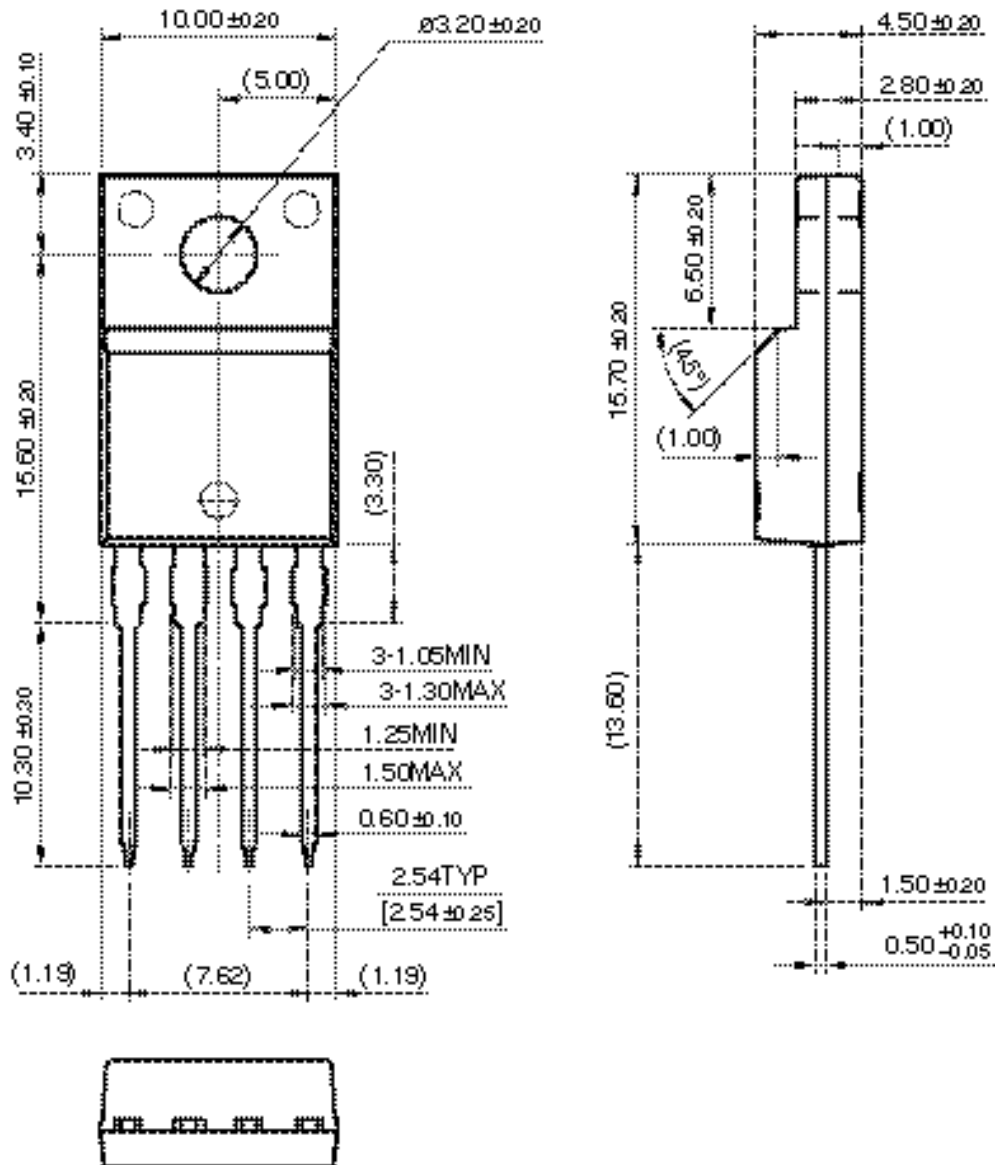
- C_i is required if regulator is located an appreciable distance from power supply filter.
- C_o improves stability and transient response. ($C_o > 47\mu\text{F}$)

Mechanical Dimensions

Package

Dimensions in millimeters

TO-220F-4L



Ordering Information

| Product Number | Package | Operating Temperature |
|----------------|------------|-----------------------|
| KA378R33 | TO-220F-4L | -20°C to + 80°C |

DISCLAIMER

FAIRCHILD SEMICONDUCTOR RESERVES THE RIGHT TO MAKE CHANGES WITHOUT FURTHER NOTICE TO ANY PRODUCTS HEREIN TO IMPROVE RELIABILITY, FUNCTION OR DESIGN. FAIRCHILD DOES NOT ASSUME ANY LIABILITY ARISING OUT OF THE APPLICATION OR USE OF ANY PRODUCT OR CIRCUIT DESCRIBED HEREIN; NEITHER DOES IT CONVEY ANY LICENSE UNDER ITS PATENT RIGHTS, NOR THE RIGHTS OF OTHERS.

LIFE SUPPORT POLICY

FAIRCHILD' S PRODUCTS ARE NOT AUTHORIZED FOR USE AS CRITICAL COMPONENTS IN LIFE SUPPORT DEVICES OR SYSTEMS WITHOUT THE EXPRESS WRITTEN APPROVAL OF THE PRESIDENT OF FAIRCHILD SEMICONDUCTOR CORPORATION. As used herein:

1. Life support devices or systems are devices or systems which, (a) are intended for surgical implant into the body, or (b) support or sustain life, and (c) whose failure to perform when properly used in accordance with instructions for use provided in the labeling, can be reasonably expected to result in a significant injury of the user.
2. A critical component in any component of a life support device or system whose failure to perform can be reasonably expected to cause the failure of the life support device or system, or to affect its safety or effectiveness.