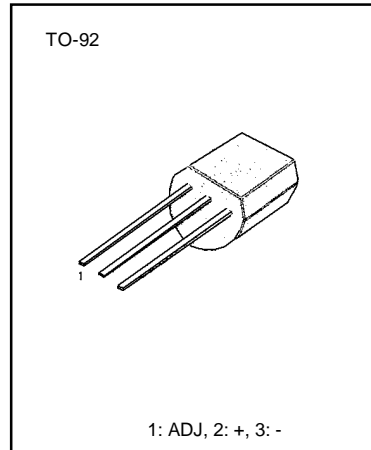


PROGRAMMABLE SHUNT REGULATOR

The KA336-2.5/B integrated Circuits are precision 2.5V shunt regulators. The monolithic IC voltage references operates as a low temperature coefficient 2.5V zener with 0.2Ω dynamic impedance. A third terminal on the KA336-2.5/B allow the reference voltage and temperature coefficient to be trimmed easily.

KA336-2.5/B are useful as a precision 2.5V low voltage reference for digital voltmeters, power supplies or op amp circuitry. The 2.5V make it convenient to obtain a stable reference from low voltage supplies. Further, since the KA336-2.5/B operate as shunt regulators, they can be used as either a positive or negative voltage reference.



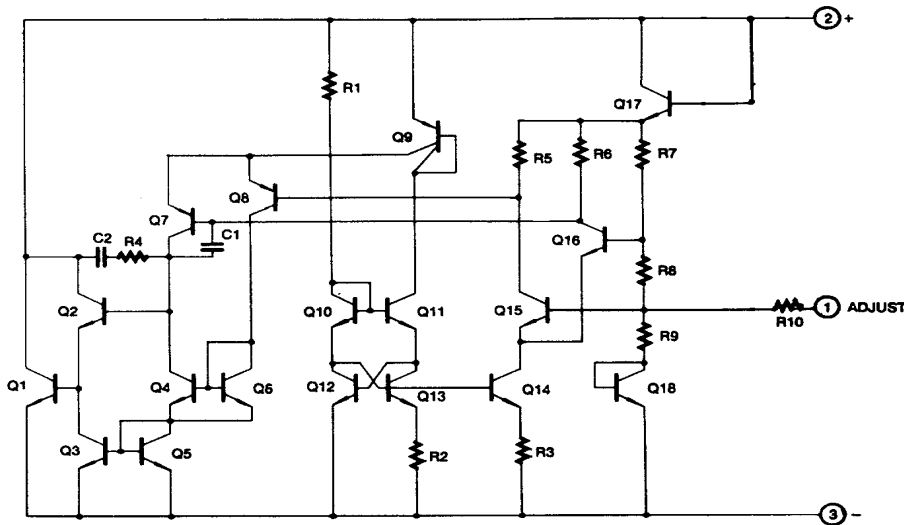
FEATURES

- Low temperature coefficient
- Guaranteed temperature stability 4mV typical
- 0.2Ω dynamic impedance
- ± 1.0% initial tolerance available.
- Easily trimmed for minimum temperature drift

ORDERING INFORMATION

Device	Package	Operating Temperature
KA336-2.5	TO-92	0 ~ 70°C
KA336-2.5B		
KA236-2.5		- 25 ~ +85°C

SCHEMATIC DIAGRAM



ABSOLUTE MAXIMUM RATINGS

Characteristic	Symbol	Value	Unit
Reverse Current	I_R	15	mA
Forward Current	I_F	10	mA
Operating Temperature Range KA336-2.5/B KA236-2.5	T_{OPR}	0 ~ + 70 - 25 ~ +85	°C
Storage Temperature Range	T_{STG}	- 60 ~ + 150	°C

ELECTRICAL CHARACTERISTICS ($T_{MIN} < T_A < T_{MAX}$, unless otherwise specified)

Characteristic	Symbol	Test Conditions	KA336/236			KA336B			Unit
			Min	Typ	Max	Min	Typ	Max	
Reverse Breakdown Voltage	V_R	$T_A = 25^\circ\text{C}$ $I_R = 1\text{mA}$	2.44	2.49	2.54	2.465	2.49	2.515	V
Reverse Breakdown Change with Current	$\Delta V_R / \Delta I_R$	$T_A = 25^\circ\text{C}$ $400 \mu\text{A} \leq I_R \leq 10\text{mA}$		2.6	6		2.6	10	mV
Reverse Dynamic Impedance	Z_D	$T_A = 25^\circ\text{C}$ $I_R = 1\text{mA}$		0.2	0.6		0.2	1	Ω
Temperature Stability	ST_T	$I_R = 1\text{mA}$ $T_{MIN} \leq T_A \leq T_{MAX}$		1.8	6		1.8	6	mV
Reverse Breakdown Change with Current	$\Delta V_R / \Delta I_R$	$T_{MIN} \leq T_A \leq T_{MAX}$ $400 \mu\text{A} \leq I_R \leq 10\text{mA}$		3	10		3	12	mV
Reverse Dynamic Impedance	Z_D	$I_R = 1\text{mA}$ $T_{MIN} \leq T_A \leq T_{MAX}$		0.4	1		0.4	1.4	Ω
Long Term Stability	ST	$I_R = 1\text{mA}$ $T_{MIN} \leq T_A \leq T_{MAX}$		20			20		ppm

KA236: $T_{MIN} = -25^\circ\text{C}$, $T_{MAX} = 85^\circ\text{C}$ KA336: $T_{MIN} = 0^\circ\text{C}$, $T_{MAX} = 70^\circ\text{C}$

TYPICAL PERFORMANCE CHARACTERISTICS

Fig. 1. REVERSE VOLTAGE CHANGE

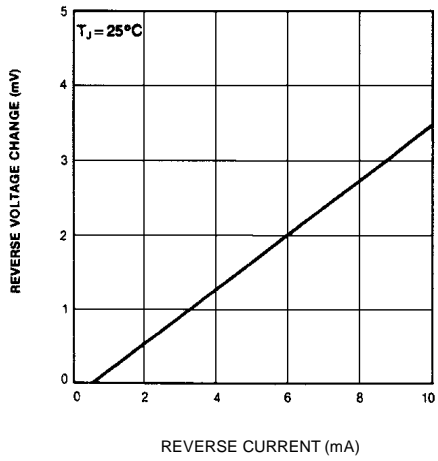


Fig. 2 REVERSE CHARACTERISTICS

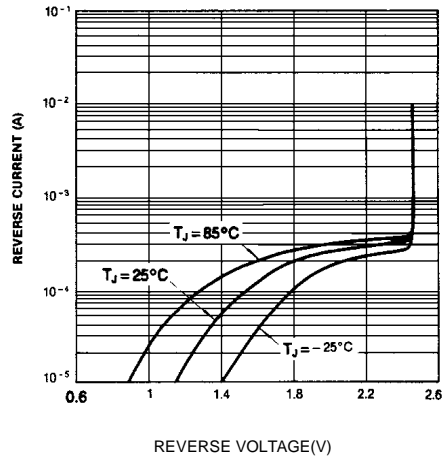


Fig. 3 TEMPERATURE DRIFT

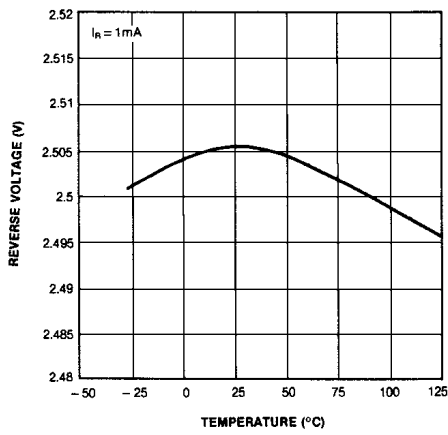
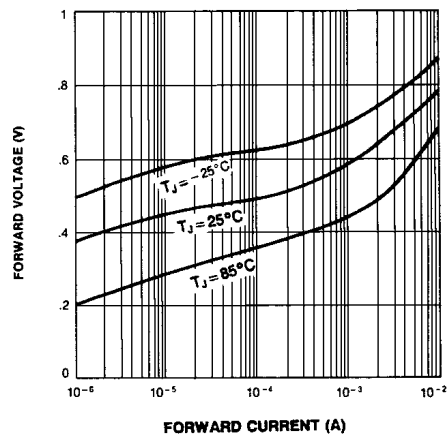


Fig. 4 FORWARD CHARACTERISTICS



KA336-2.5/B/KA236-2.5

PROGRAMMABLE SHUNT REGULATOR

